

We've got you covered
AUSSIE



**ROOFING
WAREHOUSE**

PHOTOVOLTAIC (PV) SOLAR PANELS

PRODUCT DETAILS

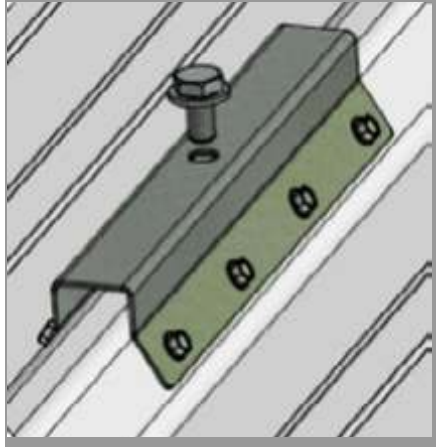
To accommodate the trend in roof mounted PV Solar Panels, we have designed an engineering certified fixing bracket that is specifically suited for our Insulated Trim and Insulated Corro range of insulated roofing panels.

PRODUCT FEATURES

- Fully Engineered using 1.5mm hi-tensile steel
- Fixing brackets available to suit Insulated Trim
- Fixing brackets available to suit Insulated Corro
- Engineered to cover wind zones N1-N5 and C1-C5
- Suitable for retro-fitting to existing insulated roofs
- Brackets manufactured from stainless steel offering durable weathering in all environments

INSTALLATION GUIDE

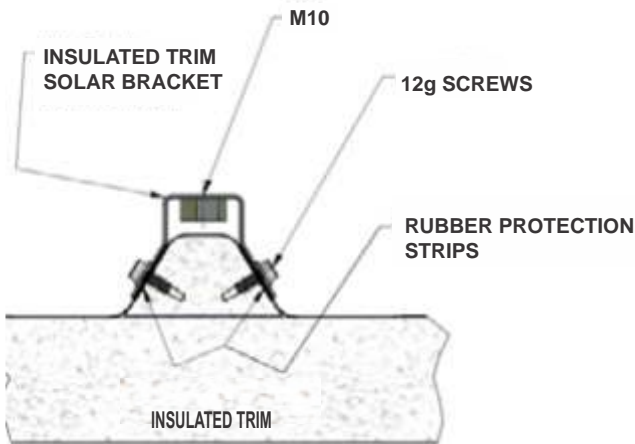
BRACKET SPECIFICATIONS



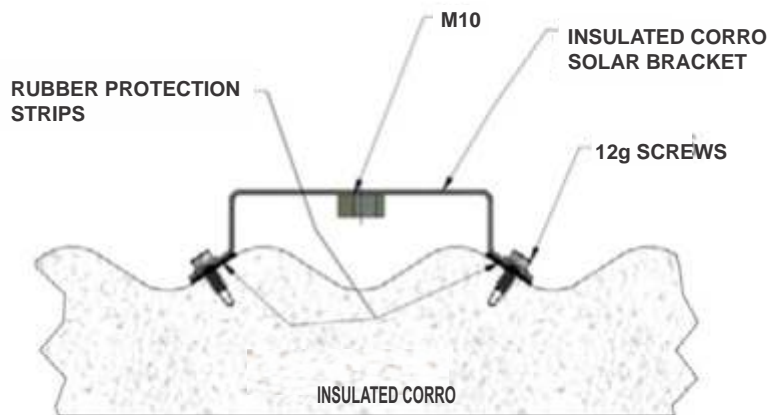
Bracket Details - Insulated Trim



Bracket Details - Insulated Corro



Bracket Fixing Details - Insulated Trim



Bracket Fixing Details - Insulated Corro

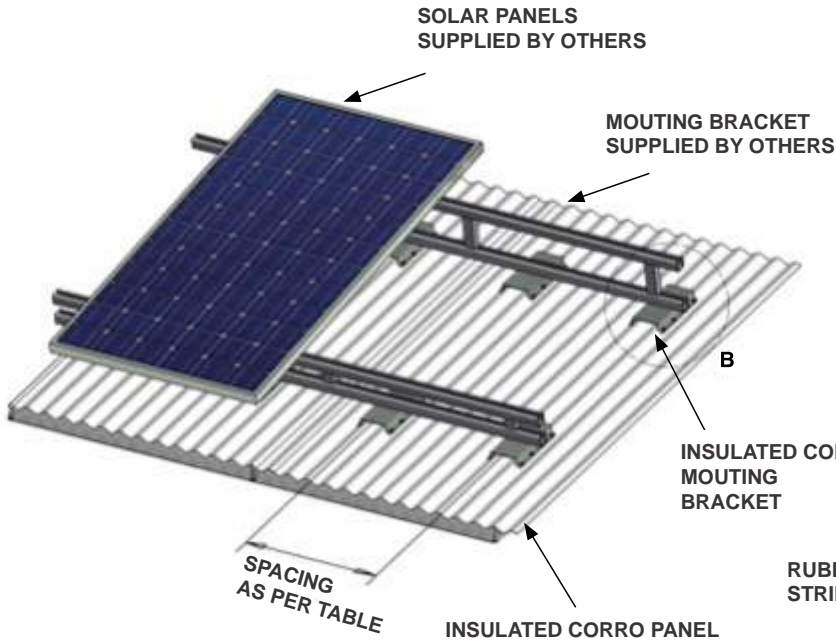
PV SOLAR PANEL INSTALLATION PITCH ANGLE



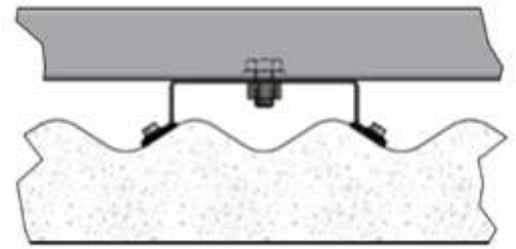
Mounting Angle $\geq 40^\circ$

PV SOLAR PANEL POSITIONING

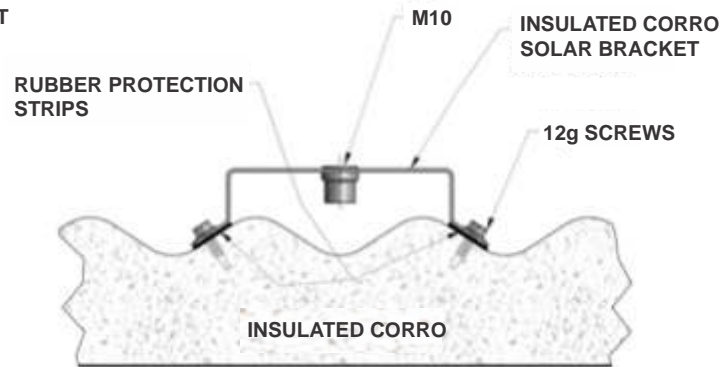
INSULATED CORRO PORTRAIT INSTALLATION



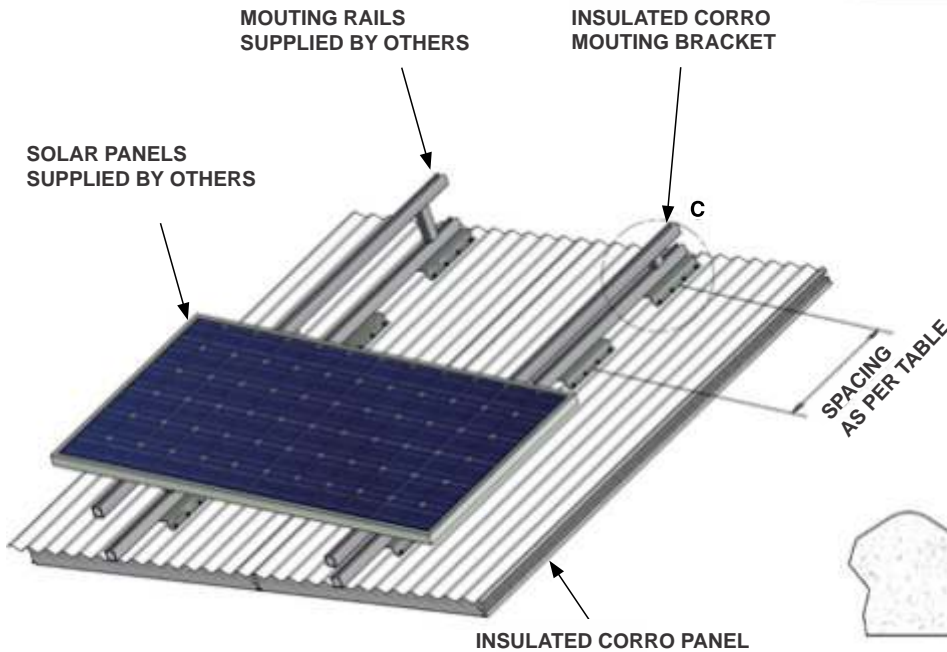
DETAIL B



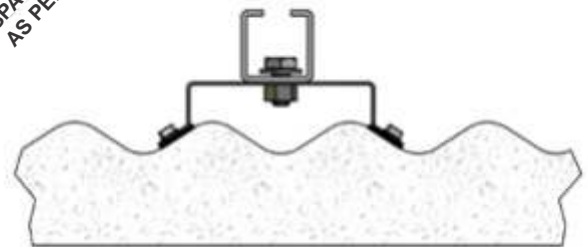
MOUNTING BRACKET FIXING FOR PORTRAIT



INSULATED CORRO LANDSCAPE INSTALLATION



DETAIL C



MOUNTING BRACKET FIXING FOR LANDSCAPE

PV SOLAR PANEL FIXING REQUIREMENT TABLES

- The fixing tables are specially engineered for PV solar panels of a maximum dimension of 1600mm x 900mm
- Rails must have the load weight of the PV solar cell distributed across numerous brackets

Portrait Solar Panel Fixing Requirements

All brackets to be screwed with 12g class 4 screws with seal.

Wind Class	Limit State Design Pressure (kPa)	Brackets / Panel @ 250mm crs	Screws / Brackets @ 250mm crs	Brackets / Panel @ 500mm crs	Screws / Brackets @ 500mm crs
N2	2.16	6	4	4	4
N3	3.32	6	4	4	4
N4	4.97	6	4	4	4
N5	7.14	6	6	4	8
C1	3.79	6	4	4	4
C2	5.64	6	6	4	8
C3	8.11	6	6	4	10
C4	11.04	6	10	N/A	N/A

Landscape Solar Panel Fixing Requirements

All brackets to be screwed with 12g class 4 screws with seal.

Wind Class	Limit State Design Pressure (kPa)	Brackets / Panel @ 250mm crs	Screws / Brackets @ 250mm crs	Brackets / Panel @ 500mm crs	Screws / Brackets @ 500mm crs
N2	2.16	10	4	6	4
N3	3.32	10	4	6	4
N4	4.97	10	4	6	4
N5	7.14	10	4	6	4
C1	3.79	10	4	6	4
C2	5.64	10	4	6	4
C3	8.11	10	4	6	4
C4	11.04	10	4	6	6