

We've got you covered
AUSSIE



**ROOFING
WAREHOUSE**

LOW PROFILE LIGHT



Product Catalogue

PRODUCT DETAILS

The Low Profile lights are available in 2 sizes. to allow for maximum design flexibility. The wafer-thin profile measures just 20mm thus creating a minimal recess when mounted into a laminated panel.

PRODUCT FEATURES

- Available in 2 sizes 120mm & 170mm
- Aluminum & Acrylic Construction
- Wafer-Thin 12mm low-profile
- Durable Powder Coated exterior trim
- Round feature with integral edge-lit LED strip
- Steel spring clip for easy installation
- Polycarbonate Lens provides even illumination
- Strong thread-lock connectors for various cable length combinations.
- Low Voltage Power source
- Dimmable

PRODUCT SPECIFICATIONS

Manufactured from aluminum and acrylic, and finished with a durable powder coated trim the Low Profile lights are designed for a long, useable lifespan.

LIGHT SPECIFICATIONS

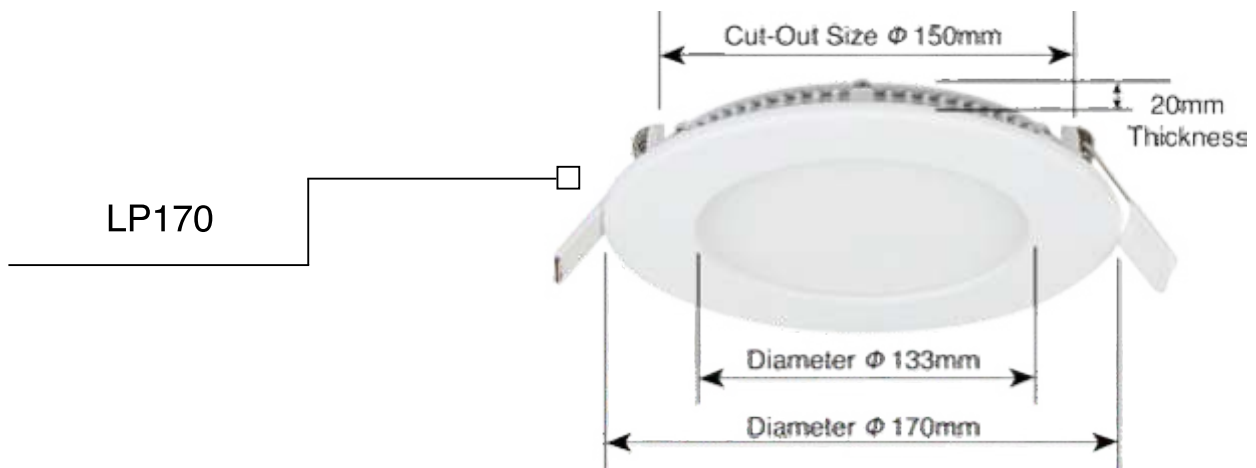
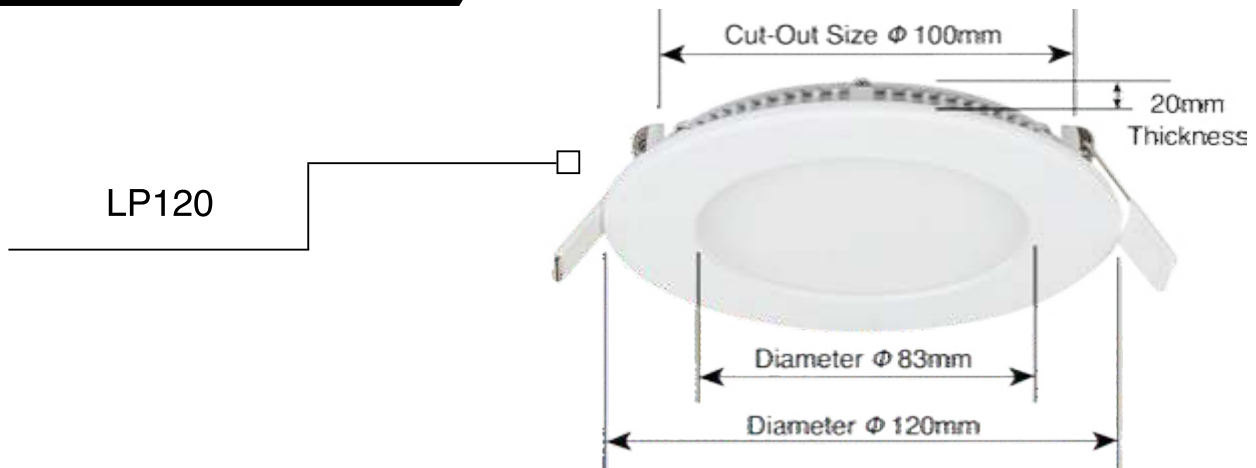
	LP120	LP170
CEILING CUT OUT	100mm	150mm
EXTERIOR DIAMETER	120mm	170mm
APATURE DIAMETER	83mm	133mm
HEIGHT	20mm	20mm
INPUT VOLTAGE	AC220-240V - Dimmable	AC220-240V - Dimmable
LIGHT OUTPUT (LUMENS)	50-70 lm/w	50-70 lm/w
COLOUR ACCURACY (CRI)	71 CR(Ra)	71 CR(Ra)
CORRELATION COLOUR TEMPERATURE (CCT)	6500-7000 k	6500-7000 k
PROTECTION CLASS	IP44	IP44
WARRANTY	3 year limited warranty	3 year limited warranty

PRODUCT SPECIFICATIONS

VOLTAGE DRIVER SPECIFICATIONS

		Trimac Dimmer	
INPUT VOLTAGE	200-240 VAC, 47-63Hz		
OUTPUT VOLTAGE	LP120	18-25 VDC, 300mA +/-10mA	
	LP170	30-45 VDC, 300mA +/-10mA	
Finish	Aluminium Weatherproof Case		
Dimmable Range	Down to 10%		
WARRANTY	3 year limited warranty		

PRODUCT DIMENSIONS



PRODUCT COMPONENTS

Each Light set consists of:-

- 2 x Low Profile Recess Light (either LP120 or LP170)
- 2 x 6 meter lead
- 2 x 3 meter extension lead
- 2 x Trimac dimmable drivers, with 1 metre power connection lead

